

MULTI-LOAD STACK DRYERS

ENERGY ADVANTAGE LINE – VEND: MLG35 AND MLG52



MICROPROCESSOR CONTROLS

- Easy-to-read diagnostics assist with quick identification of an issue helping to get the machine back into service
- Owners can control time-of-day pricing and additional costs for end-user upgrades
- End users have option to select ideal cycle for individual drying needs
- Easy-to-read Time Remaining Digital Display informs users of cycle times to help reduce bottlenecks



AXIAL AIRFLOW SYSTEM

- Consistent drying with low BTUs
- Helps manage utility costs while still providing effective drying for efficient machine turnover



OWNER-PROGRAMMABLE SINGLE-PHASE REVERSING CYLINDER

- Helps separate fabrics to promote effective dry cycles helping to reduce tangling and wrinkles



BUILT TO LAST

- Four Roller Suspension with Permanently Lubricated Bearings - provides consistent drying
- Heavy Duty Motor – designed to handle large loads with ease
- Extra-Large Door Opening with Dual-Pane Door Glass – provides unhindered access while loading and unloading, and dual-pane glass helps keep heat inside for optimal drying



COIN EQUIPPED
MLG52PDBWS pictured
(Also available in White)



COIN EQUIPPED
MLG35PDCBWW pictured
(Also available in Stainless)

| MULTI-LOAD STACK DRYERS – ENERGY ADVANTAGE LINE | | |
|---|--------------|-----------|
| CAPACITY | MODEL NUMBER | COLOR |
| 35 lb | MLG35PDBWW | White |
| 35 lb | MLG35PDBWS | Stainless |
| 50 lb | MLG52PDBWW | White |
| 50 lb | MLG52PDBWS | Stainless |



See maytagcommerciallaundry.com for warranty details.

VISIT MAYTAGCOMMERCIALLAUNDRY.COM FOR MORE INFORMATION.

MULTI-LOAD STACK DRYERS

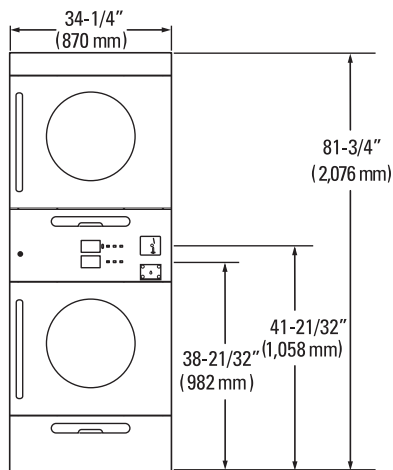
ENERGY ADVANTAGE LINE – VEND: MLG35 AND MLG52



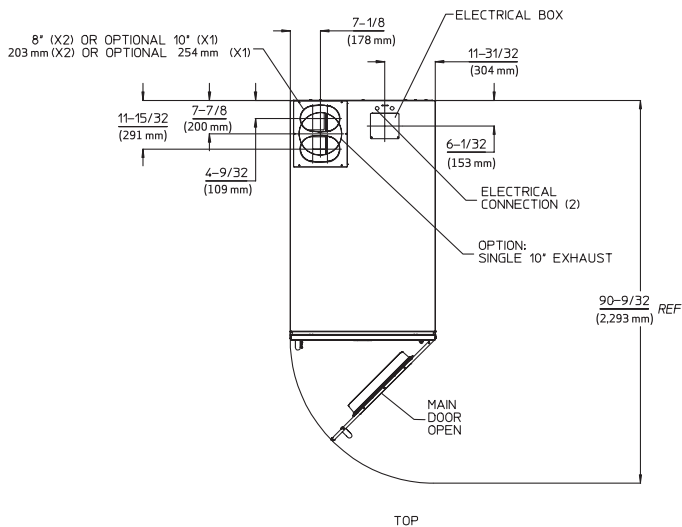
GAS MULTI-LOAD STACK DRYERS 120V/60 HZ/1 PHASE

MLG52

FRONT VIEW



TOP VIEW



| MODELS | MLG35 (PD) | MLG52 (PD) |
|--|--------------------------|---------------------------|
| CAPACITY | | |
| Number of Dryer Pockets | 2 | 2 |
| Cylinder Volume Each Pocket — cu. ft. (liters) | 12.27 (347) | 16 (453) |
| Cylinder Diameter Each Pocket — in. (mm) | 30 (762) | 35.72 (907) |
| Cylinder Depth Each Pocket — in. (mm) | 30 (762) | 32.75 (832) |
| Dry Load Capacity Each Pocket — lb (kg) | 35 (15.8) | 50 (22.68) |
| GAS SPECS/AIRFLOW | | |
| Drive Motor Size — hp (kW) | 1/4 (.19) | 1/3 (.25) |
| Blower Motor Size — hp (kW) | 1/2 (.37) | 1/4 (.19) |
| Airflow Type | AXIAL | AXIAL |
| Airflow — cfm (cmm) | 380 (10.76) | 540 (15.2) |
| Gas Inlet Size — in. (mm) | .5 (12.70) M.N.P.T. | .5 (12.70) M.N.P.T. |
| Heat Input, Gas — btu/hr (kcal/hr) | 64,000 (16,138) / Pocket | 110,000 (27,720) / Pocket |
| Number of Exhausts | 2 | 2 |
| Exhaust Duct Diameter — in. (mm) | 2 x 6 (152.4) | 2 x 8 Standard (203.2) |
| ELECTRICAL REQUIREMENTS | | |
| Breaker/Fuse — amps | 15 / Pocket | 15 / Pocket |
| DIMENSIONS | | |
| Depth — in. (mm) | 39.632 (1,006) | 56.54 (1,436) |
| Width — in. (mm) | 31.13 (791) | 34.25 (870) |
| Height — in. (mm) | 80.38 (2,042) | 81.75 (2,076) |
| Door Opening — in. (mm) | 19.38 (492) | 23.75 (603) |
| APPROXIMATE WEIGHT | | |
| Uncrated — lb (kg) | 600 (272) | 910 (413) |
| Crated — lb (kg) | 630 (286) | 960 (435) |
| CONTROL/USER INTERFACE | | |
| Control Type | Microprocessor | Microprocessor |
| Display Type | Digital | Digital |
| Vended Controller | Yes | Yes |
| OPL Controller | No | No |
| CONSTRUCTION | | |
| Cylinder | Galvanized Steel | Galvanized Steel |
| Top | Painted CRS | Painted CRS |
| Front | White/Stainless Steel | White/Stainless Steel |
| Side | Painted CRS | Painted CRS |



Dimensions are for planning purposes only. See specific instructions for proper installation. Because of continuous product improvement, Maytag reserves the right to change specifications without notice.